

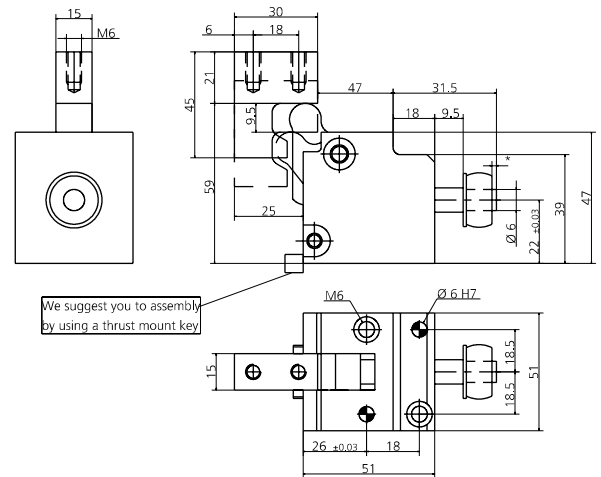
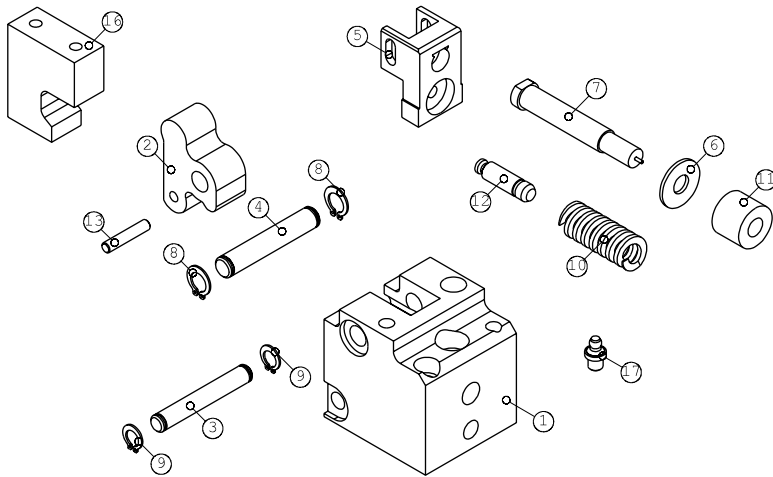
0140.0170 - CAM M170

FORZA INIZIALE DI ESTRAZIONE / INITIAL EXTRACTION FORCE / RÜCKZUGSKRAFT
FORCE INITIALE D'EXTRACTION

170 daN

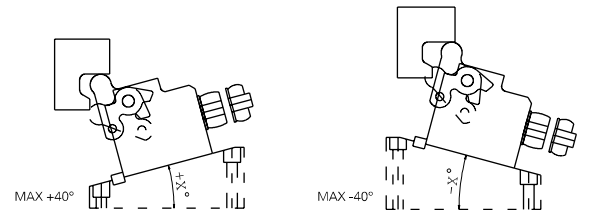
SFORZO MAX TRANCIO / CUTTING MAX FORCE / MAXIMALE SCHNITTKRAFT
EFFORT MAXI DÉCOUPE

1000 daN

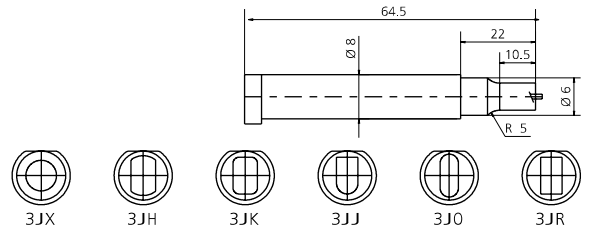


POS.	CODE	DESCRIPTION	Q.TY
001	8000.0040.0170	CORPO CAMMA / CAM BODY / GRUNDGEHÄUSE	1
002	8001.4041.0170.000	LEVA / LEVER / NOCKE 0	1
002	8001.4041.0170.620	LEVA / LEVER / NOCKE +0.01 +20	1*OPTION
002	8001.4041.0170.640	LEVA / LEVER / NOCKE +20.01 +40	1*OPTION
002	8001.4041.0170.720	LEVA / LEVER / NOCKE -0.01 -20	1*OPTION
002	8001.4041.0170.740	LEVA / LEVER / NOCKE -20.01 -40	1*OPTION
003	8005.0510.0474.060.001	PERNO / PIN / STIFT	1
004	8005.0510.0476.080.001	PERNO / PIN / STIFT	1
005	8014.4041.0170	PORTA PUNZONE / GATE PUNCH / STEMPELHALTEPLATTE	1
006	8006.0020.0240.062.001	RONDELLA / WASHER / UNTERLEGSCHIEBE	1
007	09MJBM2.080.064	MJB_PUNZONE TC CON ESPULSORE / HEADED PUNCH WITH EJECTOR / SCHNEIDSTEMPEL MIT ABSTOSSER 8 64.5	1
007	09MJXM2.080.064	MIX_PUNZONE TC CON ESPULSORE / HEADED PUNCH WITH EJECTOR / SCHNEIDSTEMPEL MIT ABSTOSSER 8 64.5	1*OPTION
007	09MJOM2.080.064	MJO_PUNZONE TC CON ESPULSORE / HEADED PUNCH WITH EJECTOR / SCHNEIDSTEMPEL MIT ABSTOSSER 8 64.5	1*OPTION
007	09MJJM2.080.064	MJJ_PUNZONE TC CON ESPULSORE / HEADED PUNCH WITH EJECTOR / SCHNEIDSTEMPEL MIT ABSTOSSER 8 64.5	1*OPTION
007	09MJHM2.080.064	MJH_PUNZONE TC CON ESPULSORE / HEADED PUNCH WITH EJECTOR / SCHNEIDSTEMPEL MIT ABSTOSSER 8 64.5	1*OPTION
007	09MJKM2.080.064	MJK_PUNZONE TC CON ESPULSORE / HEADED PUNCH WITH EJECTOR / SCHNEIDSTEMPEL MIT ABSTOSSER 8 64.5	1*OPTION
007	09MJNM2.080.064	MJN_PUNZONE TC CON ESPULSORE / HEADED PUNCH WITH EJECTOR / SCHNEIDSTEMPEL MIT ABSTOSSER 8 64.5	1*OPTION
007	09MJLM2.080.064	MJL_PUNZONE TC CON ESPULSORE / HEADED PUNCH WITH EJECTOR / SCHNEIDSTEMPEL MIT ABSTOSSER 8 64.5	1*OPTION
007	09MJRM2.080.064	MJR_PUNZONE TC CON ESPULSORE / HEADED PUNCH WITH EJECTOR / SCHNEIDSTEMPEL MIT ABSTOSSER 8 64.5	1*OPTION
007	09MJVM2.080.064	MJV_PUNZONE TC CON ESPULSORE / HEADED PUNCH WITH EJECTOR / SCHNEIDSTEMPEL MIT ABSTOSSER 8 64.5	1*OPTION
007	09MJYM2.080.064	MJY_PUNZONE TC CON ESPULSORE / HEADED PUNCH WITH EJECTOR / SCHNEIDSTEMPEL MIT ABSTOSSER 8 64.5	1*OPTION
007	09MJZM2.080.064	MJZ_PUNZONE TC CON ESPULSORE / HEADED PUNCH WITH EJECTOR / SCHNEIDSTEMPEL MIT ABSTOSSER 8 64.5	1*OPTION
008	9004.1080.001	SEEGER / SEEGER / SEEGERRING	2
009	9004.1060.001	SEEGER / SEEGER / SEEGERRING	2
010	9009.2000.0320.120	MOLLA / SPRING / FEDER	1
011	8060.0620.020.E090.001	MOLLA IN GOMMA / RUBBER SPRING / ABSTREIFFEDER	1
012	8005.0265.0150.060.001	PERNO / PIN / STIFT	1
013	8005.0230.0230.040.001	PERNO / PIN / STIFT	1
016	8003.0450.0300.150.001	INCLUDINE / ANVIL / TREIBER	1*OPTION
017	9006.001	INGRASSATORE / NIPPLES / SCHMIERUNG	1

002 (8001) LEVA / LEVER / NOCKE



007 (09M) PUNZONE TC / HEADED PUNCH / SCHNEIDSTEMPEL ISO8020



MODELLO D'ORDINE / ORDER EXAMPLE / BESTELLBEISPIEL / MODÈLE DE COMMANDE

MODEL **0140.0170** INCLINATION **+10°** OPTION CODE **8001.4041.0170.620**

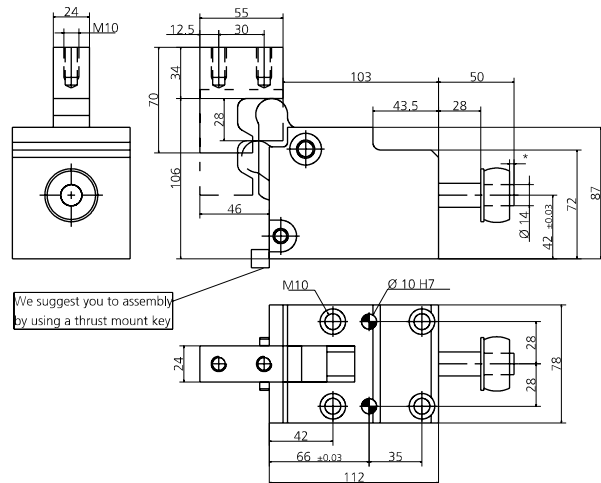
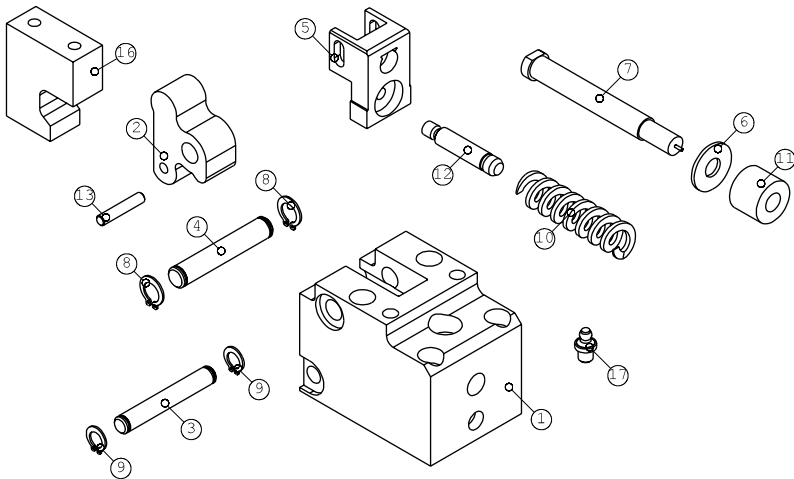
0141.0320 - CAM ML320

FORZA INIZIALE DI ESTRAZIONE / INITIAL EXTRACTION FORCE / RÜCKZUGSKRAFT
FORCE INITIALE D'EXTRACTION

320 daN

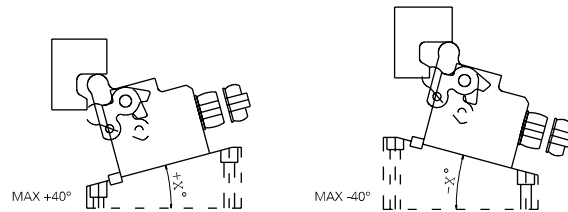
SFORZO MAX TRANCIO / CUTTING MAX FORCE / MAXIMALE SCHNITTKRAFT
EFFORT MAXI DÉCOUPE

5000 daN

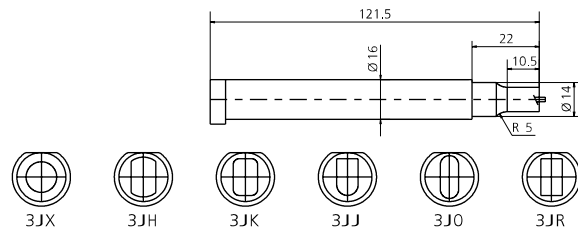


POS.	CODE	DESCRIPTION	Q.TY
001	8000.0041.0320	CORPO CAMMA / CAM BODY / GRUNDGEHÄUSE	1
002	8001.4041.0320.000	LEVA / LEVER / NOCKE 0	1
002	8001.4041.0320.620	LEVA / LEVER / NOCKE +0.01 +20	1*OPTION
002	8001.4041.0320.640	LEVA / LEVER / NOCKE +20.01 +40	1*OPTION
002	8001.4041.0320.720	LEVA / LEVER / NOCKE -0.01 -20	1*OPTION
002	8001.4041.0320.740	LEVA / LEVER / NOCKE -20.01 -40	1*OPTION
003	8005.0780.0740.100.001	PERNO / PIN / STIFT	1
004	8005.0780.0740.120.001	PERNO / PIN / STIFT	1
005	8014.4041.0320	PORTA PUNZONE / GATE PUNCH / STEMPHALTEPLATTE	1
006	8006.0020.0350.141.001	RONDELLA / WASHER / UNTERLEGSCHIBE	1
007	09MJBM2.160.121	MJB_PUNZONE TC CON ESPULSORE / HEADED PUNCH WITH EJECTOR / SCHNEIDSTEMPEL MIT ABSTOSSER 16 121.5	1
007	09MJXM2.160.121	MJX_PUNZONE TC CON ESPULSORE / HEADED PUNCH WITH EJECTOR / SCHNEIDSTEMPEL MIT ABSTOSSER 16 121.5	1*OPTION
007	09MJOM2.160.121	MJO_PUNZONE TC CON ESPULSORE / HEADED PUNCH WITH EJECTOR / SCHNEIDSTEMPEL MIT ABSTOSSER 16 121.5	1*OPTION
007	09MJJM2.160.121	MJJ_PUNZONE TC CON ESPULSORE / HEADED PUNCH WITH EJECTOR / SCHNEIDSTEMPEL MIT ABSTOSSER 16 121.5	1*OPTION
007	09MJHM2.160.121	MJH_PUNZONE TC CON ESPULSORE / HEADED PUNCH WITH EJECTOR / SCHNEIDSTEMPEL MIT ABSTOSSER 16 121.5	1*OPTION
007	09MJKM2.160.121	MJK_PUNZONE TC CON ESPULSORE / HEADED PUNCH WITH EJECTOR / SCHNEIDSTEMPEL MIT ABSTOSSER 16 121.5	1*OPTION
007	09MJNM2.160.121	MJN_PUNZONE TC CON ESPULSORE / HEADED PUNCH WITH EJECTOR / SCHNEIDSTEMPEL MIT ABSTOSSER 16 121.5	1*OPTION
007	09MJLM2.160.121	MJL_PUNZONE TC CON ESPULSORE / HEADED PUNCH WITH EJECTOR / SCHNEIDSTEMPEL MIT ABSTOSSER 16 121.5	1*OPTION
007	09MJRM2.160.121	MJR_PUNZONE TC CON ESPULSORE / HEADED PUNCH WITH EJECTOR / SCHNEIDSTEMPEL MIT ABSTOSSER 16 121.5	1*OPTION
007	09MJVM2.160.121	MJV_PUNZONE TC CON ESPULSORE / HEADED PUNCH WITH EJECTOR / SCHNEIDSTEMPEL MIT ABSTOSSER 16 121.5	1*OPTION
007	09MJYM2.160.121	MJY_PUNZONE TC CON ESPULSORE / HEADED PUNCH WITH EJECTOR / SCHNEIDSTEMPEL MIT ABSTOSSER 16 121.5	1*OPTION
007	09MJZM2.160.121	MJZ_PUNZONE TC CON ESPULSORE / HEADED PUNCH WITH EJECTOR / SCHNEIDSTEMPEL MIT ABSTOSSER 16 121.5	1*OPTION
008	9004.1120.001	SEGER / SEEGER / SEEGERRING	2
009	9004.1100.001	SEGER / SEEGER / SEEGERRING	2
010	9009.2000.0890.250	MOLLA / SPRING / FEDER	1
011	8060.1432.020.E090.001	MOLLA IN GOMMA / RUBBER SPRING / ABSTREIFFEDER	1
012	8005.0665.0500.120.001	PERNO / PIN / STIFT	1
013	8005.0350.0350.080.001	PERNO / PIN / STIFT	1
016	8003.0700.0550.240.001	INCUDINE / ANVIL / TREIBER	1*OPTION
017	9006.002	INGRASSATORE / NIPPLE / SCHMIERUNG	1

002 (8001) LEVA / LEVER / NOCKE



007 (09M) PUNZONE TC / HEADED PUNCH / SCHNEIDSTEMPEL ISO8020



MODELLO D'ORDINE / ORDER EXAMPLE / BESTELLBEISPIEL / MODÈLE DE COMMANDE

MODEL **0141.0320** INCLINAZIONE **+10°** OPTION CODE **8001.4041.0320.620**

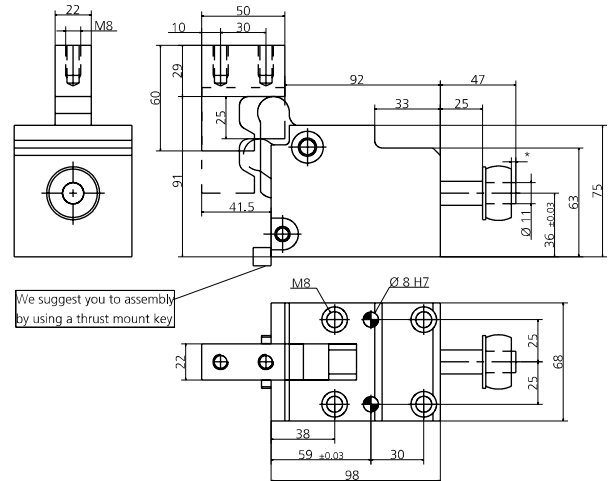
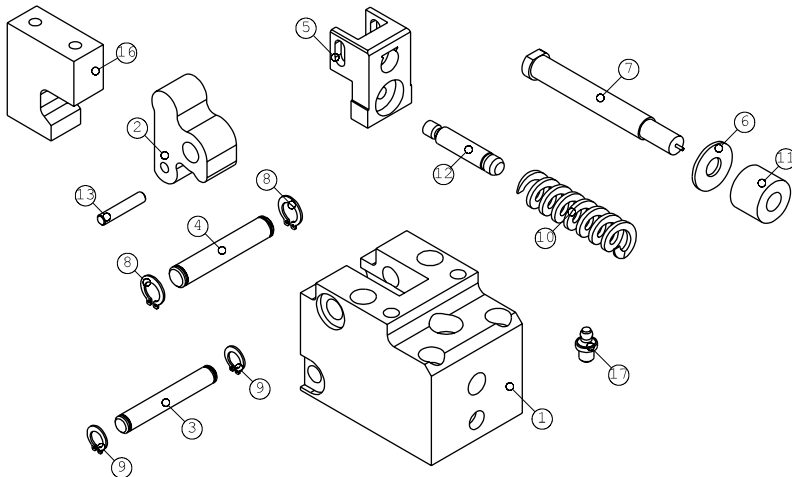
0141.0210 - CAM ML210

FORZA INIZIALE DI ESTRAZIONE / INITIAL EXTRACTION FORCE / RÜCKZUGSKRAFT
FORCE INITIALE D'EXTRACTION

210 daN

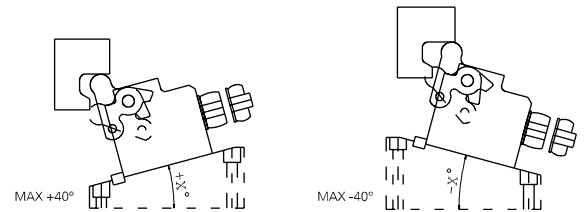
SFORZO MAX TRANCIO / CUTTING MAX FORCE / MAXIMALE SCHNITTKRAFT
EFFORT MAXI DÉCOUPE

3000 daN

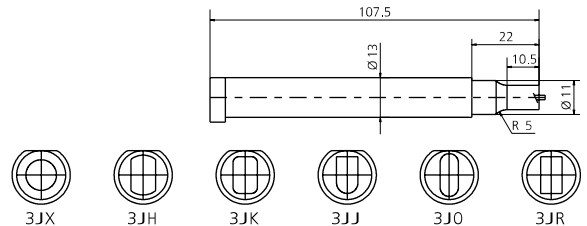


POS.	CODE	DESCRIPTION	Q.TY
001	8000.0041.0210	CORPO CAMMA / CAM BODY / GRUNDGEHÄUSE	1
002	8001.4041.0210.000	LEVA / LEVER / NOCKE 0	1
002	8001.4041.0210.620	LEVA / LEVER / NOCKE +0.01 +20	1*OPTION
002	8001.4041.0210.640	LEVA / LEVER / NOCKE +20.01 +40	1*OPTION
002	8001.4041.0210.720	LEVA / LEVER / NOCKE -0.01 -20	1*OPTION
002	8001.4041.0210.730	LEVA / LEVER / NOCKE -20.01 -30	1*OPTION
002	8001.4041.0210.740	LEVA / LEVER / NOCKE -30.01 -40	1*OPTION
003	8005.0680.0640.100.001	PERNO / PIN / STIFT	1
004	8005.0680.0640.120.001	PERNO / PIN / STIFT	1
005	8014.4041.0210	PORTA PUNZONE / GATE PUNCH / STEMPHALTEPLATTE	1
006	8006.0020.0280.111.001	RONDELLA / WASHER / UNTERLEGSCHIBE	1
007	09MJBM2.130.107	MJB_PUNZONE TC CON ESPULSORE / HEADED PUNCH WITH EJECTOR / SCHNEIDSTEMPEL MIT ABSTOSSER 13 107.5	1
007	09MJXM2.130.107	MIX_PUNZONE TC CON ESPULSORE / HEADED PUNCH WITH EJECTOR / SCHNEIDSTEMPEL MIT ABSTOSSER 13 107.5	1*OPTION
007	09MJOM2.130.107	MJO_PUNZONE TC CON ESPULSORE / HEADED PUNCH WITH EJECTOR / SCHNEIDSTEMPEL MIT ABSTOSSER 13 107.5	1*OPTION
007	09MJJM2.130.107	MJJ_PUNZONE TC CON ESPULSORE / HEADED PUNCH WITH EJECTOR / SCHNEIDSTEMPEL MIT ABSTOSSER 13 107.5	1*OPTION
007	09MJHM2.130.107	MJH_PUNZONE TC CON ESPULSORE / HEADED PUNCH WITH EJECTOR / SCHNEIDSTEMPEL MIT ABSTOSSER 13 107.5	1*OPTION
007	09MJKM2.130.107	MJK_PUNZONE TC CON ESPULSORE / HEADED PUNCH WITH EJECTOR / SCHNEIDSTEMPEL MIT ABSTOSSER 13 107.5	1*OPTION
007	09MJNM2.130.107	MJN_PUNZONE TC CON ESPULSORE / HEADED PUNCH WITH EJECTOR / SCHNEIDSTEMPEL MIT ABSTOSSER 13 107.5	1*OPTION
007	09MJLM2.130.107	MJL_PUNZONE TC CON ESPULSORE / HEADED PUNCH WITH EJECTOR / SCHNEIDSTEMPEL MIT ABSTOSSER 13 107.5	1*OPTION
007	09MJRM2.130.107	MJR_PUNZONE TC CON ESPULSORE / HEADED PUNCH WITH EJECTOR / SCHNEIDSTEMPEL MIT ABSTOSSER 13 107.5	1*OPTION
007	09MJVM2.130.107	MJV_PUNZONE TC CON ESPULSORE / HEADED PUNCH WITH EJECTOR / SCHNEIDSTEMPEL MIT ABSTOSSER 13 107.5	1*OPTION
007	09MJYM2.130.107	MJY_PUNZONE TC CON ESPULSORE / HEADED PUNCH WITH EJECTOR / SCHNEIDSTEMPEL MIT ABSTOSSER 13 107.5	1*OPTION
007	09MJZM2.130.107	MJZ_PUNZONE TC CON ESPULSORE / HEADED PUNCH WITH EJECTOR / SCHNEIDSTEMPEL MIT ABSTOSSER 13 107.5	1*OPTION
008	9004.1120.001	SEEGER / SEEGER / SEEGERRING	2
009	9004.1100.001	SEEGER / SEEGER / SEEGERRING	2
010	9009.2000.0760.200	MOLLA / SPRING / FEDER	1
011	9010.1125.020.E090.001	MOLLA IN GOMMA / RUBBER SPRING / ABSTREIFFEDER	1
012	8005.0535.0400.100.001	PERNO / PIN / STIFT	1
013	8005.0310.0310.060.001	PERNO / PIN / STIFT	1
016	8003.0600.0500.220.001	INCLUDINE / ANVIL / TREIBER	1*OPTION
017	9006.002	INGRASSATORE / NIPPLE / SCHMIERUNG	1

002 (8001) LEVA / LEVER / NOCKE



007 (09M) PUNZONE TC / HEADED PUNCH / SCHNEIDSTEMPEL ISO8020



MODELLO D'ORDINE / ORDER EXAMPLE / BESTELLBEISPIEL / MODÈLE DE COMMANDE

MODEL **0141.0210** INCLINATION **+10°** OPTION CODE **8001.4041.0210.620**

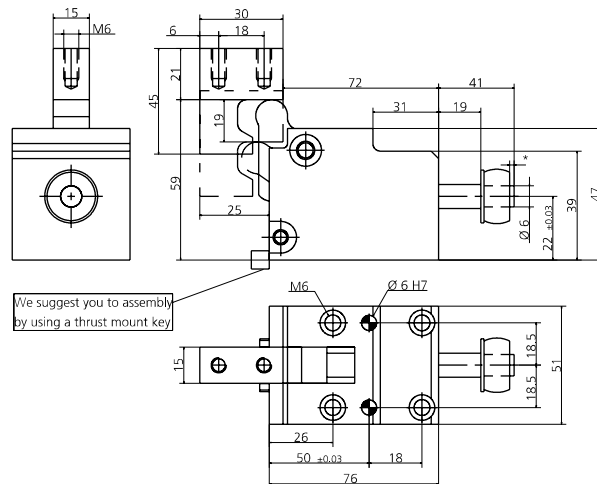
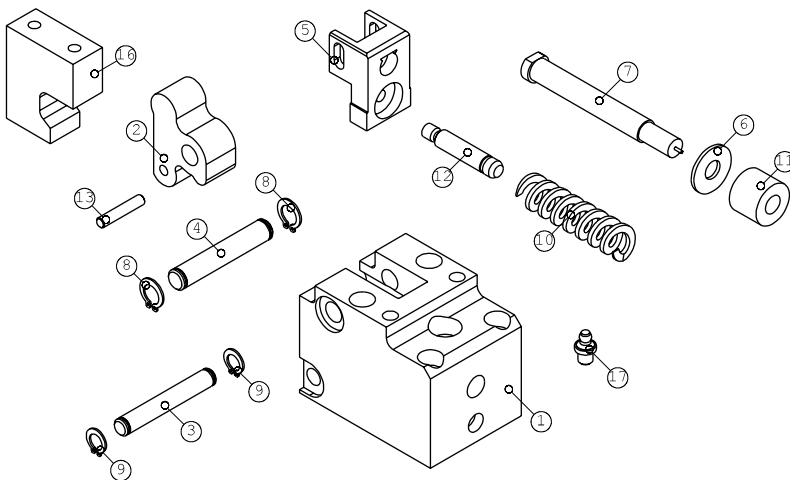
0141.0170 - CAM ML170

FORZA INIZIALE DI ESTRAZIONE / INITIAL EXTRACTION FORCE / RÜCKZUGSKRAFT
FORCE INITIALE D'EXTRACTION

170 daN

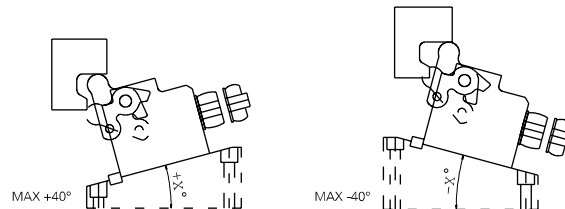
SFORZO MAX TRANCIO / CUTTING MAX FORCE / MAXIMALE SCHNITTKRAFT
EFFORT MAXI DÉCOUPE

1000 daN

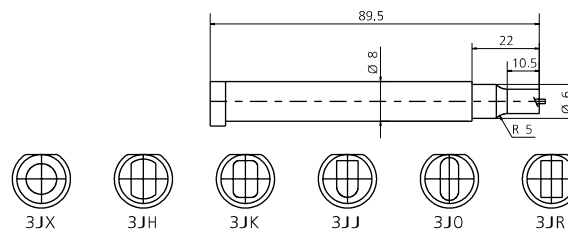


POS.	CODE	DESCRIPTION	Q.TY
001	8000.0041.0170	CORPO CAMMA / CAM BODY / GRUNDGEHÄUSE	1
002	8001.4041.0170.000	LEVA / LEVER / NOCKE 0	1
002	8001.4041.0170.620	LEVA / LEVER / NOCKE +0.01 +20	1*OPTION
002	8001.4041.0170.640	LEVA / LEVER / NOCKE +20.01 +40	1*OPTION
002	8001.4041.0170.720	LEVA / LEVER / NOCKE -0.01 -20	1*OPTION
002	8001.4041.0170.740	LEVA / LEVER / NOCKE -20.01 -40	1*OPTION
003	8005.0510.0474.060.001	PERNO / PIN / STIFT	1
004	8005.0510.0476.080.001	PERNO / PIN / STIFT	1
005	8014.4041.0170	PORTA PUNZONE / GATE PUNCH / STEMPHALTEPLATTE	1
006	8006.0020.0240.062.001	RONDELLA / WASHER / UNTERLEGSCHIBE	1
007	09MJBM2.080.089	MJB_PUNZONE TC CON ESPULSORE / HEADED PUNCH WITH EJECTOR / SCHNEIDSTEMPEL MIT ABSTOSSER 8 89.5	1
007	09MJXM2.080.089	MJX_PUNZONE TC CON ESPULSORE / HEADED PUNCH WITH EJECTOR / SCHNEIDSTEMPEL MIT ABSTOSSER 8 89.5	1*OPTION
007	09MJOM2.080.089	MJO_PUNZONE TC CON ESPULSORE / HEADED PUNCH WITH EJECTOR / SCHNEIDSTEMPEL MIT ABSTOSSER 8 89.5	1*OPTION
007	09MJJM2.080.089	MJJ_PUNZONE TC CON ESPULSORE / HEADED PUNCH WITH EJECTOR / SCHNEIDSTEMPEL MIT ABSTOSSER 8 89.5	1*OPTION
007	09MJHM2.080.089	MJH_PUNZONE TC CON ESPULSORE / HEADED PUNCH WITH EJECTOR / SCHNEIDSTEMPEL MIT ABSTOSSER 8 89.5	1*OPTION
007	09MJKM2.080.089	MJK_PUNZONE TC CON ESPULSORE / HEADED PUNCH WITH EJECTOR / SCHNEIDSTEMPEL MIT ABSTOSSER 8 89.5	1*OPTION
007	09MJNM2.080.089	MJN_PUNZONE TC CON ESPULSORE / HEADED PUNCH WITH EJECTOR / SCHNEIDSTEMPEL MIT ABSTOSSER 8 89.5	1*OPTION
007	09MJLM2.080.089	MJL_PUNZONE TC CON ESPULSORE / HEADED PUNCH WITH EJECTOR / SCHNEIDSTEMPEL MIT ABSTOSSER 8 89.5	1*OPTION
007	09MJRM2.080.089	MJR_PUNZONE TC CON ESPULSORE / HEADED PUNCH WITH EJECTOR / SCHNEIDSTEMPEL MIT ABSTOSSER 8 89.5	1*OPTION
007	09MJVM2.080.089	MJV_PUNZONE TC CON ESPULSORE / HEADED PUNCH WITH EJECTOR / SCHNEIDSTEMPEL MIT ABSTOSSER 8 89.5	1*OPTION
007	09MJYM2.080.089	MJY_PUNZONE TC CON ESPULSORE / HEADED PUNCH WITH EJECTOR / SCHNEIDSTEMPEL MIT ABSTOSSER 8 89.5	1*OPTION
007	09MJZM2.080.089	MJZ_PUNZONE TC CON ESPULSORE / HEADED PUNCH WITH EJECTOR / SCHNEIDSTEMPEL MIT ABSTOSSER 8 89.5	1*OPTION
008	9004.1080.001	SEGER / SEEGER / SEEGERRING	2
009	9004.1060.001	SEGER / SEEGER / SEEGERRING	2
010	9009.2000.0640.120	MOLLA / SPRING / FEDER	1
011	8060.0620.020.E090.001	MOLLA IN GOMMA / RUBBER SPRING / ABSTREIFFEDER	1
012	8005.0465.0350.060.001	PERNO / PIN / STIFT	1
013	8005.0230.0230.040.001	PERNO / PIN / STIFT	1
016	8003.0450.0300.150.001	INCUDINE / ANVIL / TREIBER	1*OPTION
017	9006.001	INGRASSATORE / NIPPLES / SCHMIERUNG	1

002 (8001) LEVA / LEVER / NOCKE



007 (09M) PUNZONE TC / HEADED PUNCH / SCHNEIDSTEMPEL ISO8020



MODELLO D'ORDINE / ORDER EXAMPLE / BESTELLBEISPIEL / MODÈLE DE COMMANDE

MODEL **0141.0170** INCLINAZIONE **+10°** OPTION CODE **8001.4041.0170.620**

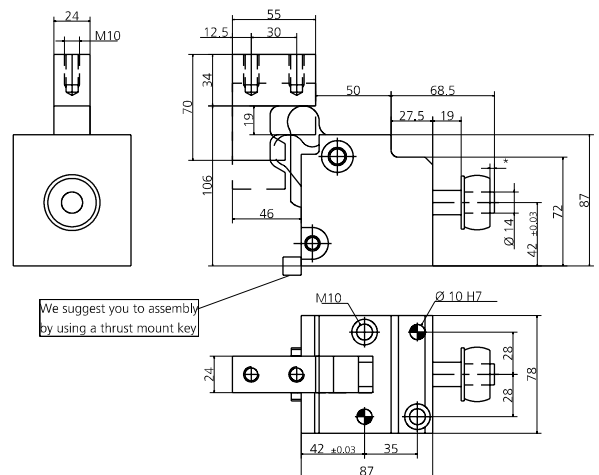
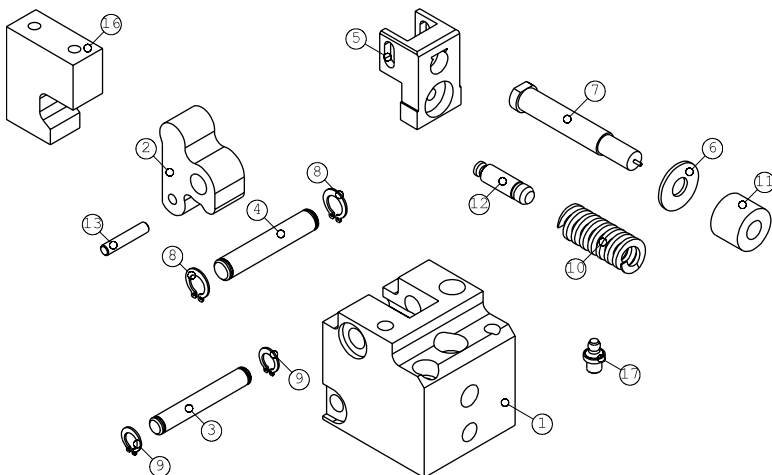
0140.0320 - CAM M320

FORZA INIZIALE DI ESTRAZIONE / INITIAL EXTRACTION FORCE / RÜCKZUGSKRAFT
FORCE INITIALE D'EXTRACTION

320 daN

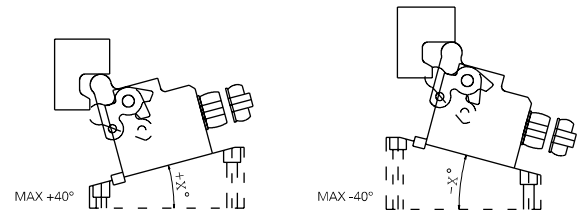
SFORZO MAX TRANCIO / CUTTING MAX FORCE / MAXIMALE SCHNITTKRAFT
EFFORT MAXI DÉCOUPE

5000 daN

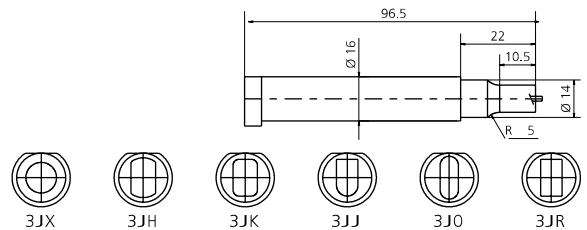


POS.	CODE	DESCRIPTION	Q.TY
001	8000.0040.0320	CORPO CAMMA / CAM BODY / GRUNDGEHÄUSE	1
002	8001.4041.0320.000	LEVA / LEVER / NOCKE 0	1
002	8001.4041.0320.620	LEVA / LEVER / NOCKE +0.01 +20	1*OPTION
002	8001.4041.0320.640	LEVA / LEVER / NOCKE +20.01 +40	1*OPTION
002	8001.4041.0320.720	LEVA / LEVER / NOCKE -0.01 -20	1*OPTION
002	8001.4041.0320.740	LEVA / LEVER / NOCKE -20.01 -40	1*OPTION
003	8005.0780.0740.100.001	PERNO / PIN / STIFT	1
004	8005.0780.0740.120.001	PERNO / PIN / STIFT	1
005	8014.4041.0320	PORTA PUNZONE / GATE PUNCH / STEMPELHALTEPLATTE	1
006	8006.0020.0350.141.001	RONDELLA / WASHER / UNTERLEGSCHIBE	1
007	09MJBM2.160.096	MJB_PUNZONE TC CON ESPULSORE / HEADED PUNCH WITH EJECTOR / SCHNEIDSTEMPEL MIT ABSTOSSER 16 96.5	1
007	09MJXM2.160.096	MIX_PUNZONE TC CON ESPULSORE / HEADED PUNCH WITH EJECTOR / SCHNEIDSTEMPEL MIT ABSTOSSER 16 96.5	1*OPTION
007	09MJOM2.160.096	MJO_PUNZONE TC CON ESPULSORE / HEADED PUNCH WITH EJECTOR / SCHNEIDSTEMPEL MIT ABSTOSSER 16 96.5	1*OPTION
007	09MJJM2.160.096	MJJ_PUNZONE TC CON ESPULSORE / HEADED PUNCH WITH EJECTOR / SCHNEIDSTEMPEL MIT ABSTOSSER 16 96.5	1*OPTION
007	09MJHM2.160.096	MJH_PUNZONE TC CON ESPULSORE / HEADED PUNCH WITH EJECTOR / SCHNEIDSTEMPEL MIT ABSTOSSER 16 96.5	1*OPTION
007	09MJKM2.160.096	MJK_PUNZONE TC CON ESPULSORE / HEADED PUNCH WITH EJECTOR / SCHNEIDSTEMPEL MIT ABSTOSSER 16 96.5	1*OPTION
007	09MJNM2.160.096	MJN_PUNZONE TC CON ESPULSORE / HEADED PUNCH WITH EJECTOR / SCHNEIDSTEMPEL MIT ABSTOSSER 16 96.5	1*OPTION
007	09MJLM2.160.096	MJL_PUNZONE TC CON ESPULSORE / HEADED PUNCH WITH EJECTOR / SCHNEIDSTEMPEL MIT ABSTOSSER 16 96.5	1*OPTION
007	09MJRM2.160.096	MJR_PUNZONE TC CON ESPULSORE / HEADED PUNCH WITH EJECTOR / SCHNEIDSTEMPEL MIT ABSTOSSER 16 96.5	1*OPTION
007	09MJVM2.160.096	MJV_PUNZONE TC CON ESPULSORE / HEADED PUNCH WITH EJECTOR / SCHNEIDSTEMPEL MIT ABSTOSSER 16 96.5	1*OPTION
007	09MJYM2.160.096	MJY_PUNZONE TC CON ESPULSORE / HEADED PUNCH WITH EJECTOR / SCHNEIDSTEMPEL MIT ABSTOSSER 16 96.5	1*OPTION
007	09MJZM2.160.096	MJZ_PUNZONE TC CON ESPULSORE / HEADED PUNCH WITH EJECTOR / SCHNEIDSTEMPEL MIT ABSTOSSER 16 96.5	1*OPTION
008	9004.1120.001	SEEGER / SEEGER / SEEGERRING	2
009	9004.1100.001	SEEGER / SEEGER / SEEGERRING	2
010	9009.2000.0640.250	MOLLA / SPRING / FEDER	1
011	8060.1432.020.E090.001	MOLLA IN GOMMA / RUBBER SPRING / ABSTREIFFEDER	1
012	8005.0465.0300.120.001	PERNO / PIN / STIFT	1
013	8005.0350.0350.080.001	PERNO / PIN / STIFT	1
016	8003.0700.0550.240.001	INCUDINE / ANVIL / TREIBER	1*OPTION
017	9006.002	INGRASSATORE / NIPPLE / SCHMIERUNG	1

002 (8001) LEVA / LEVER / NOCKE



007 (09M) PUNZONE TC / HEADED PUNCH / SCHNEIDSTEMPEL ISO8020



MODELLO D'ORDINE / ORDER EXAMPLE / BESTELLBEISPIEL / MODÈLE DE COMMANDE

MODEL **0140.0320** INCLINATION **+10°** OPTION CODE **8001.4041.0320.620**

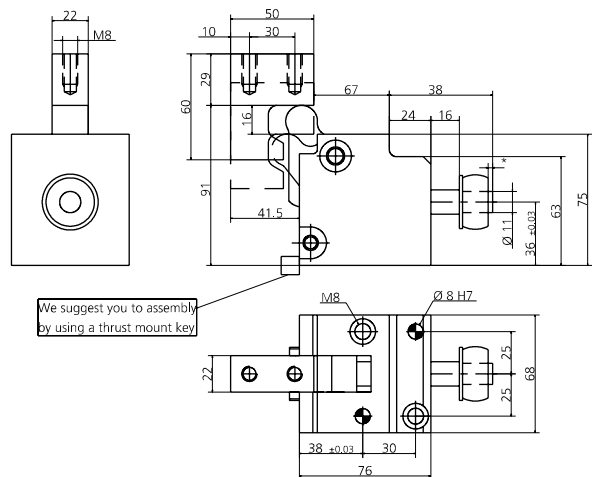
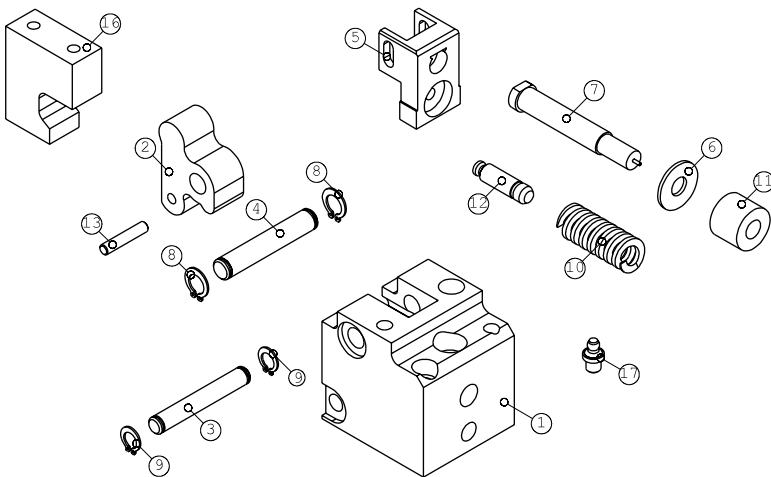
0140.0210 - CAM M210

FORZA INIZIALE DI ESTRAZIONE / INITIAL EXTRACTION FORCE / RÜCKZUGSKRAFT
FORCE INITIALE D'EXTRACTION

210 daN

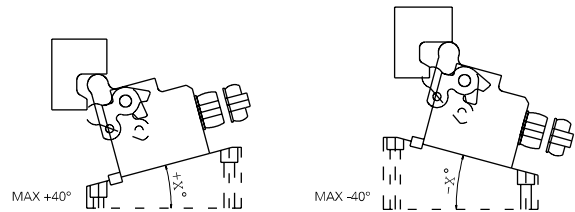
SFORZO MAX TRANCIO / CUTTING MAX FORCE / MAXIMALE SCHNITTKRAFT
EFFORT MAXI DÉCOUPE

3000 daN

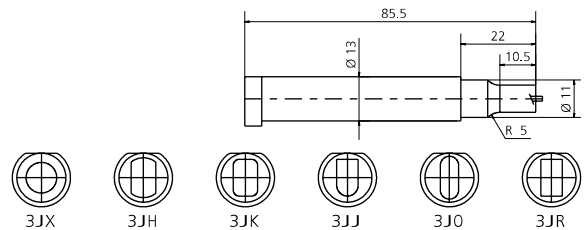


POS.	CODE	DESCRIPTION	Q.TY
001	8000.0040.0210	CORPO CAMMA / CAM BODY / GRUNDGEHÄUSE	1
002	8001.4041.0210.000	LEVA / LEVER / NOCKE 0	1
002	8001.4041.0210.620	LEVA / LEVER / NOCKE +0.01 +20	1*OPTION
002	8001.4041.0210.640	LEVA / LEVER / NOCKE +20.01 +40	1*OPTION
002	8001.4041.0210.720	LEVA / LEVER / NOCKE -0.01 -20	1*OPTION
002	8001.4041.0210.730	LEVA / LEVER / NOCKE -20.01 -30	1*OPTION
002	8001.4041.0210.740	LEVA / LEVER / NOCKE -30.01 -40	1*OPTION
003	8005.0680.0640.100.001	PERNO / PIN / STIFT	1
004	8005.0680.0640.120.001	PERNO / PIN / STIFT	1
005	8014.4041.0210	PORTA PUNZONE / GATE PUNCH / STEMPHALTEPLATTE	1
006	8006.0020.0280.111.001	RONDELLA / WASHER / UNTERLEGSCHIBE	1
007	09MJBM2.130.085	MJB_PUNZONE TC CON ESPULSORE / HEADED PUNCH WITH EJECTOR / SCHNEIDSTEMPEL MIT ABSTOSSER 13 85.5	1
007	09MJXM2.130.085	MJX_PUNZONE TC CON ESPULSORE / HEADED PUNCH WITH EJECTOR / SCHNEIDSTEMPEL MIT ABSTOSSER 13 85.5	1*OPTION
007	09MJOM2.130.085	MJO_PUNZONE TC CON ESPULSORE / HEADED PUNCH WITH EJECTOR / SCHNEIDSTEMPEL MIT ABSTOSSER 13 85.5	1*OPTION
007	09MJJM2.130.085	MJJ_PUNZONE TC CON ESPULSORE / HEADED PUNCH WITH EJECTOR / SCHNEIDSTEMPEL MIT ABSTOSSER 13 85.5	1*OPTION
007	09MJHM2.130.085	MJH_PUNZONE TC CON ESPULSORE / HEADED PUNCH WITH EJECTOR / SCHNEIDSTEMPEL MIT ABSTOSSER 13 85.5	1*OPTION
007	09MJKM2.130.085	MJK_PUNZONE TC CON ESPULSORE / HEADED PUNCH WITH EJECTOR / SCHNEIDSTEMPEL MIT ABSTOSSER 13 85.5	1*OPTION
007	09MJNM2.130.085	MJN_PUNZONE TC CON ESPULSORE / HEADED PUNCH WITH EJECTOR / SCHNEIDSTEMPEL MIT ABSTOSSER 13 85.5	1*OPTION
007	09MJLM2.130.085	MJL_PUNZONE TC CON ESPULSORE / HEADED PUNCH WITH EJECTOR / SCHNEIDSTEMPEL MIT ABSTOSSER 13 85.5	1*OPTION
007	09MJRM2.130.085	MJR_PUNZONE TC CON ESPULSORE / HEADED PUNCH WITH EJECTOR / SCHNEIDSTEMPEL MIT ABSTOSSER 13 85.5	1*OPTION
007	09MJVM2.130.085	MJV_PUNZONE TC CON ESPULSORE / HEADED PUNCH WITH EJECTOR / SCHNEIDSTEMPEL MIT ABSTOSSER 13 85.5	1*OPTION
007	09MJYM2.130.085	MJY_PUNZONE TC CON ESPULSORE / HEADED PUNCH WITH EJECTOR / SCHNEIDSTEMPEL MIT ABSTOSSER 13 85.5	1*OPTION
007	09MJZM2.130.085	MJZ_PUNZONE TC CON ESPULSORE / HEADED PUNCH WITH EJECTOR / SCHNEIDSTEMPEL MIT ABSTOSSER 13 85.5	1*OPTION
008	9004.1120.001	SEGER / SEGER / SEEGERRING	2
009	9004.1100.001	SEGER / SEGER / SEEGERRING	2
010	9009.2000.0510.200	MOLLA / SPRING / FEDER	1
011	9010.1125.020.E090.001	MOLLA IN GOMMA / RUBBER SPRING / ABSTREIFFEDER	1
012	8005.0385.0250.100.001	PERNO / PIN / STIFT	1
013	8005.0310.0310.060.001	PERNO / PIN / STIFT	1
016	8003.0600.0500.220.001	INCUDINE / ANVIL / TREIBER	1*OPTION
017	9006.002	INGRASSATORE / NIPPLE / SCHMIERUNG	1

002 (8001) LEVA / LEVER / NOCKE



007 (09M) PUNZONE TC / HEADED PUNCH / SCHNEIDSTEMPEL ISO8020



MODELLO D'ORDINE / ORDER EXAMPLE / BESTELLBEISPIEL / MODÈLE DE COMMANDE

MODEL **0140.0210** INCLINAZIONE **+10°** OPTION CODE **8001.4041.0210.620**